

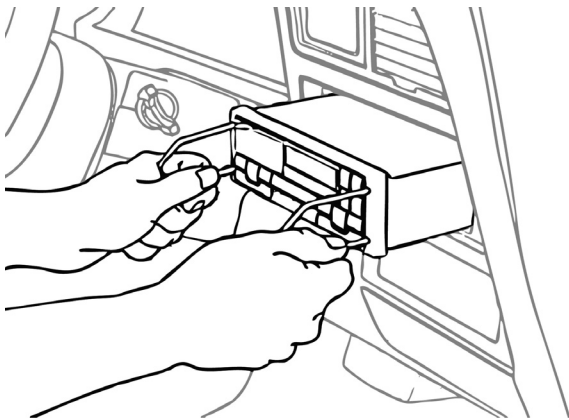
## Introduction

**Warning! Always make sure that your vehicle's battery is disconnected before beginning installation and that you have your head unit's (radio's) security code (if applicable).**

The Dension Gateway (GW) 100/300 emulates a CD changer and uses CD changer controls to access audio sources including iPod, USB devices and Dension GW accessories.

In some cases, you will be able to view full artist/album/song information on your head unit display and if you have one, dashboard cluster display. This may also allow you to view full text and menu selection but please be aware that this will not always be the case. Each model and manufacturer will differ. Please consult your head unit's user manual for more information.

### 1 Remove the head unit

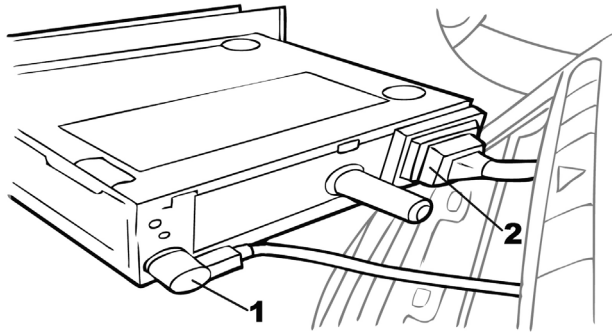


First, carefully remove your vehicle's existing OE head unit as per the factory instructions and using the correct tools.

In some cases, removing the head unit will require panel removal. Contact your vehicle's dealer or installation supplier/installer for more information.

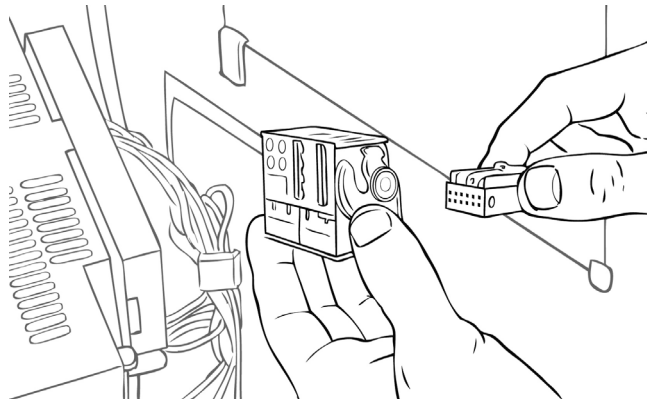
Need more help? Please visit [www.dension.com/support](http://www.dension.com/support)

### 2 Remove antenna and wiring connector



Once the head unit has been removed, disconnect the antenna cable (1), then unclip the main wiring connector from the head unit (2). This again, will differ in all makes and manufacturers.

### 3 Connect GW 100/300 to the cable harness



With the main radio cable removed, first connect the Dension supplied cable to the original factory cable harness.

In some cases there may be an add-in connector. Remove the CD changer section and replace with the loom supplied with the GW100/300. **Turn page over for car-specific connections.**

CD Changer Retention Kits are available which will allow you to keep the full functionality of your existing OE CD Changer (manufacturer specific). Visit [www.dension.com](http://www.dension.com) for more details.

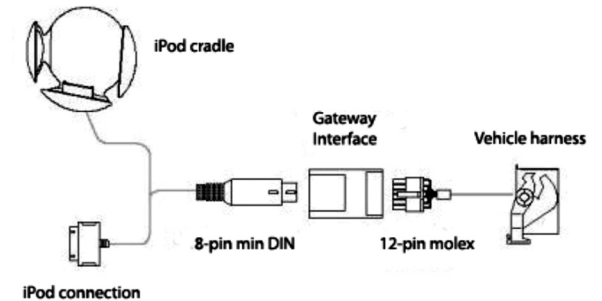
Need more help? Please visit [www.dension.com/support](http://www.dension.com/support)

### 4 Connect iPod connector and USB/AUX

Connect the round iPod connector and USB (GW300 only)/Aux cables to the GW100/300 and feed them through the dashboard to an appropriate location.

**Warning! Do not trap the cables, or leave them in a position where they may become trapped after refitting the head unit.**

Ensure the device is correctly fitted before running the cable. Then, reconnect the Dension supplied main radio connector to the rear of the head unit.



### 5 Test and refit

Before you refit the head unit, test the GW100/300 with your car audio, making sure all connections are correct and that you have full functionality.

**Note: If during testing you notice any changes or inconsistencies in the way the car's electrical system operates, disconnect the Gateway product immediately and consult your dealer.**

When you have tested everything, refit your head unit. Take care not to trap any wires or the Dension product. Refit is the reversal of the removal process for your specific vehicle, as per your manufacturer's instructions.

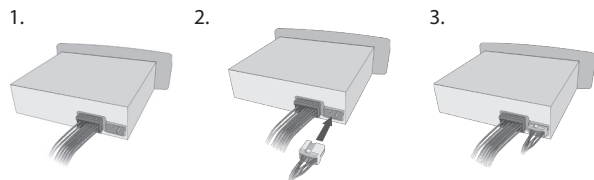
**Note: There will be a free black wire on the Dension wiring harness. This must be connected to the vehicle Ground for safe operation.**

*All photos/illustrations are for representation purposes only and may differ visually from the equipment in your vehicle. Information correct at time of going to print E. & O. E. Dension Audio Systems Ltd. and its registered partners cannot be held liable for any damages caused by the incorrect installation of any Dension product.*

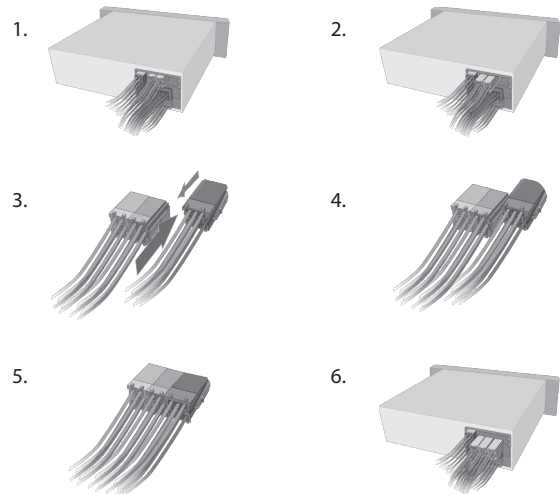
Need more help? Please visit [www.dension.com/support](http://www.dension.com/support)

6 Car-specific connections

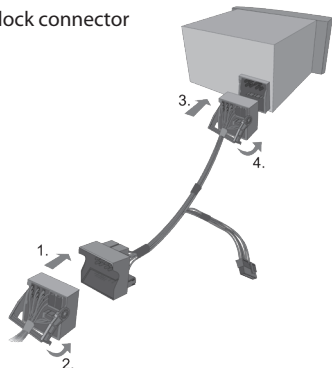
If the CDC connector has separated housing:



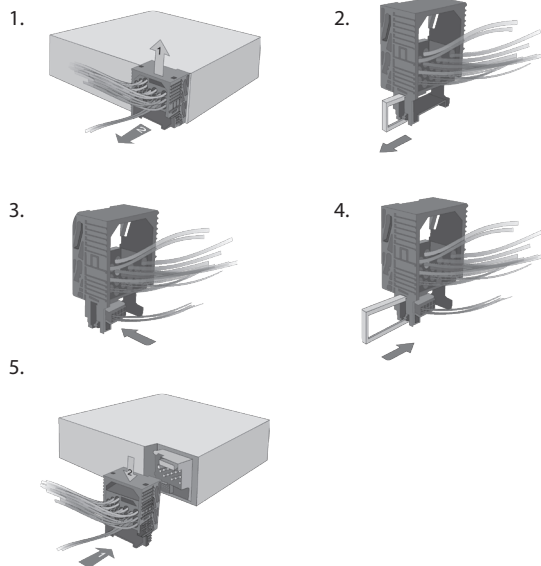
Cars with mini ISO connector:



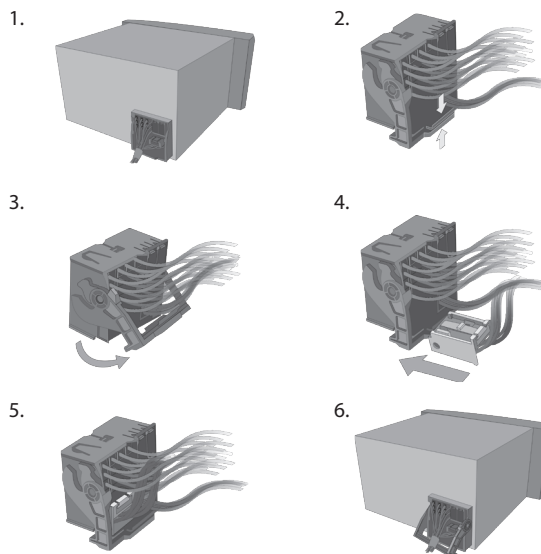
Cars with quadlock connector (break-in):



BMW's with 17-pin connector:



Cars with quadlock connector (not break-in):



Gateway 100/300 Installation Guide

